

JUMP STARTER

MASTER

GK1203

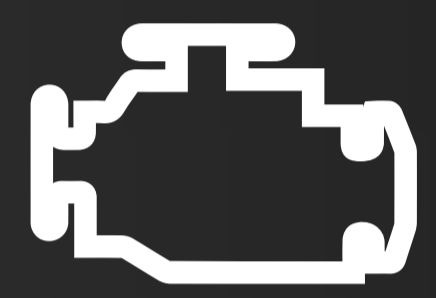
3000A

PEAK CURRENT



12V

MULTI-FUNCTIONAL JUMP STARTER



8.0L GASOLINE & 8.0L DIESEL

Designed for gas engines up to 8.0 liters and diesel engines up to 8.0 liters for small diesel cars, SUVs, boats, trucks, ATVs, motorcycles and more.



POWER BANK

This product has 3 output ports for multiple charging demands. Such as cellphone, tablet iPad, laptop, PSP, gamepad, car vacuum cleaner (with the provided cigarette lighter converter) and more.



SAFETY JUMP-START CLAMP

Multiple safe protection design

1. Reverse Connection Protection
2. Low Battery Protection
3. High Temperature Protection



LED FLASHLIGHT

Long press the power button for 3 seconds to turn on turn off the flashlight.
Quick press the power button to switch 3 flashlight modes.



USB Charger

Smart Phone

Tablet

Laptop

Car

Truck

Motorcycle

Boat

Lighting

SOS

Strobe light

CHARGE DEVICES

Power everything. With USB-C Power Delivery, you have the power to charge almost everything. Its internal power bank provides 65-wattsof power both in and out to effortlessly power our favorite USB-C devices, like phones,tablets, laptops, wearables, and more.



WHAT'S IN THE BOX

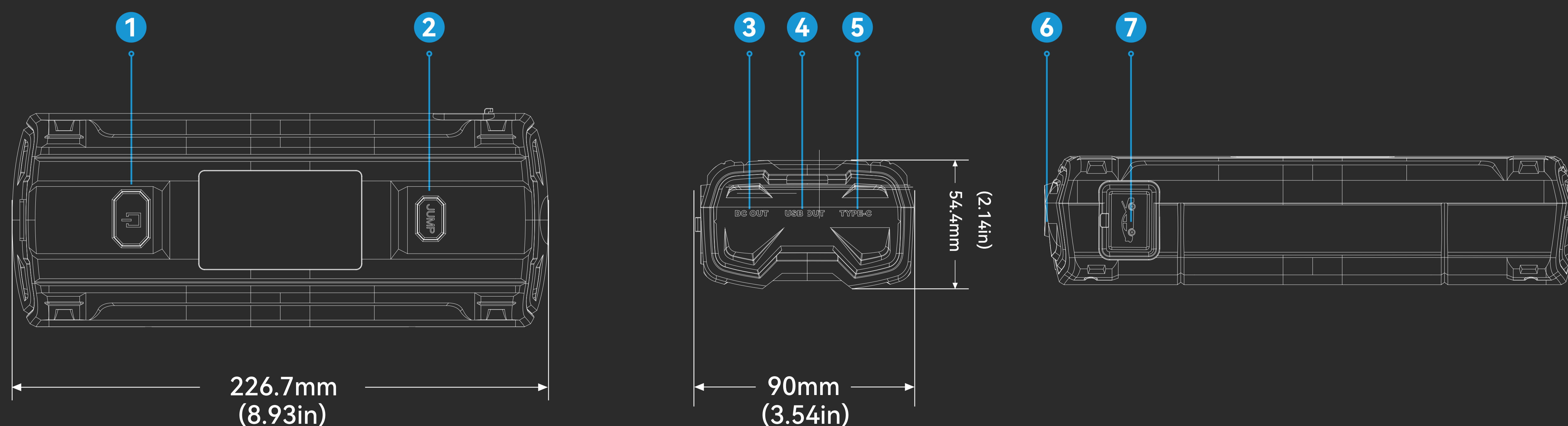
GK-J1203 JUMP STARTER

- STORAGE BAG X1
- PRODUCT X1
- CHARGING CABLE X1
- USER MANUAL X1
- EC5 JUMPER CABLE X1
- CIGARETTE LIGHTER ADAPTER X1



PRODOT DIAGRAM

- 1 Power Button
- 2 Jump Button
- 3 DC output:12V/ 6A
- 4 USB output: QC 18W
- 5 TYPE-C output/input: PD 65W
- 6 LED Light
- 7 EC5 Port



RECHARGE TIME

10W	9.60H
18W	5.33H
65W	1.60H

TECHNICAL SPECIFICATIONS

INTERNAL BATTERY TYPE	LITHIUM ION
PEAK CURRENT	3000A
STARTING CURRENT	1500A
BATTERY CAPACITY	20000AMH(74WH)
OPERATING TEMPRATURE	"-4°F TO +140°F (-20°C TO +60°C)"
CHARGING TEMPRATURE	"32°F TO +122°F (0°C TO +50°C)"
USB-C PROTOCOL	PD/QC3.0
USB-C (INPUT)	5V(5.0V/3A & 9V/3A & 12V/3A 15V/3A & 20V/3A)
USB-C (OUTPUT)	5V(5.0V/3A & 9V/3A & 12V/3A 15V/3A & 20V/3A)
USB-A PROTOCOL	QC3.0
USB-A1(OUTPUT)	5V(5.0V/3A & 9V/2A & 12V/1.5A)
DC PORT (OUTPUT)	12V-16.9V / MAX6A
WEIGHT	3.73 LBS (1.69 KG)
LED FLASHLIGHT	80 LUMEN
PRODUCT DIMENSIONS	226.7 X 90.0 X 54.4 MM(8.93 X 3.54 X 2.14 IN)

